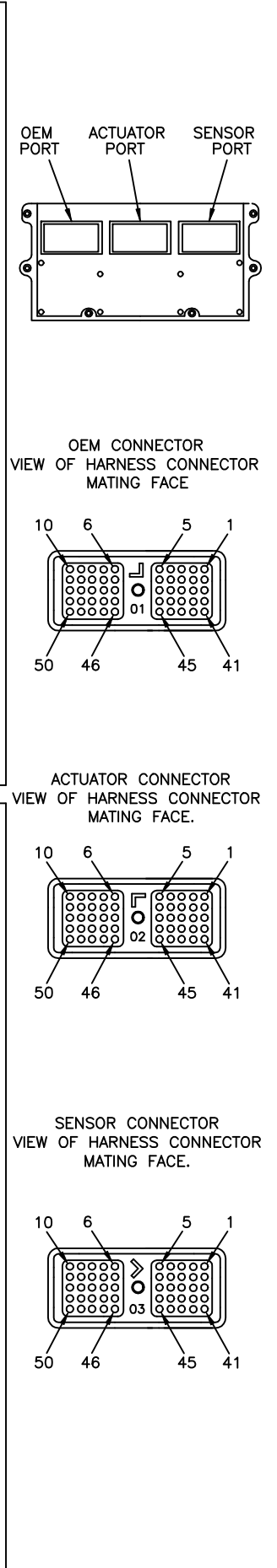
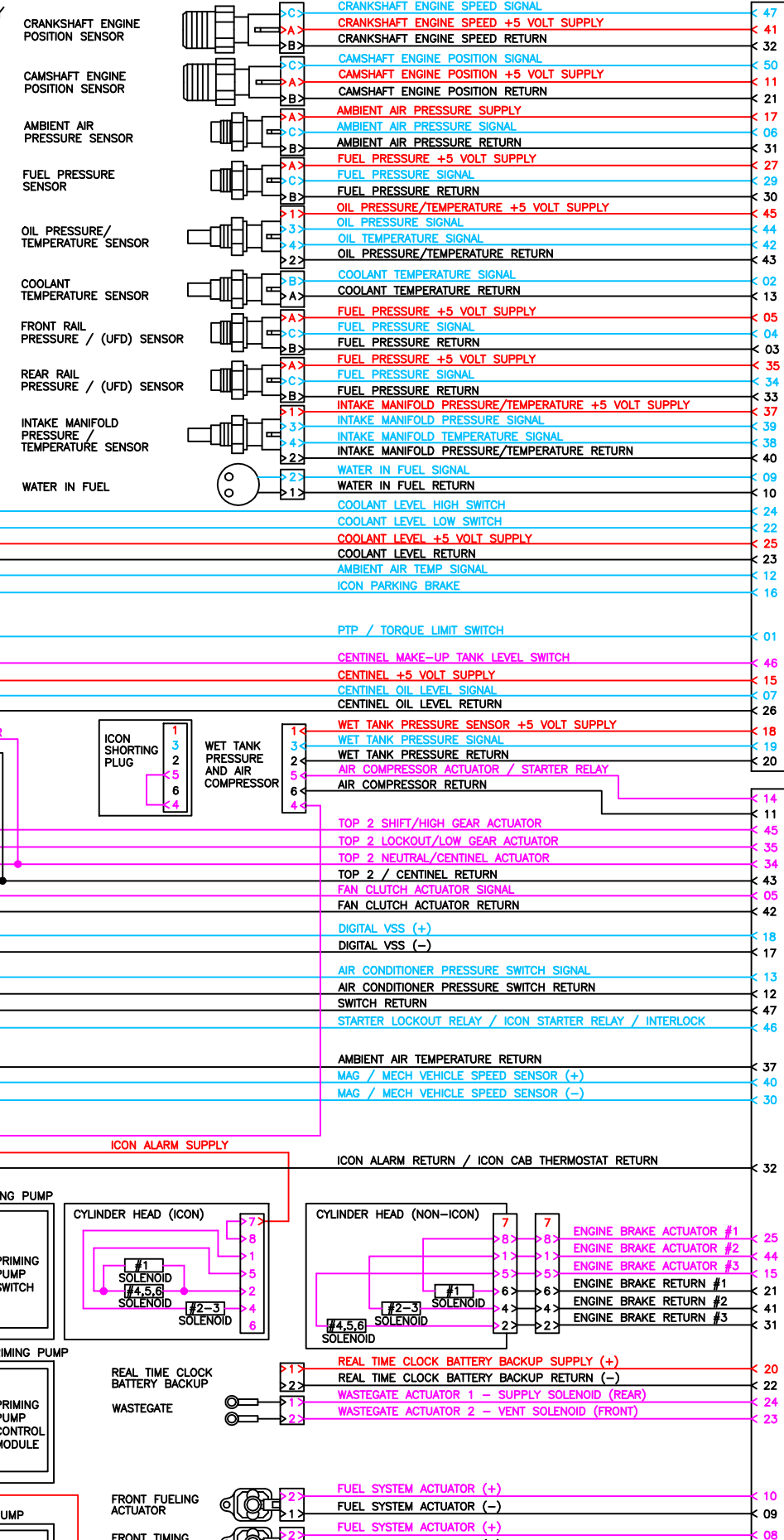
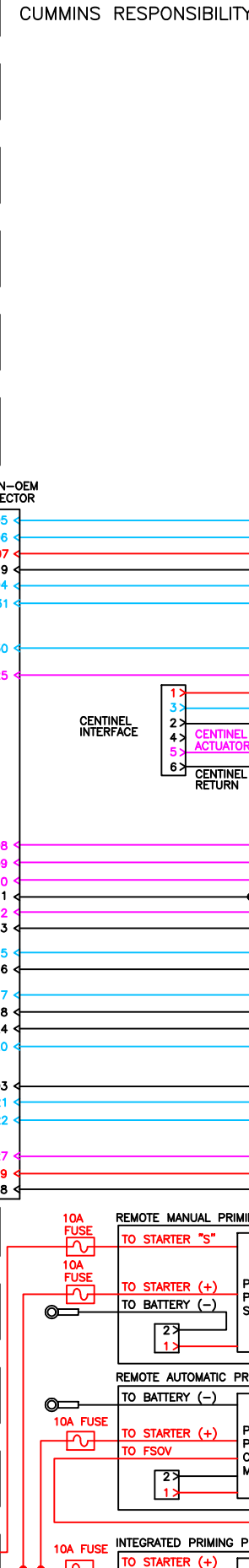
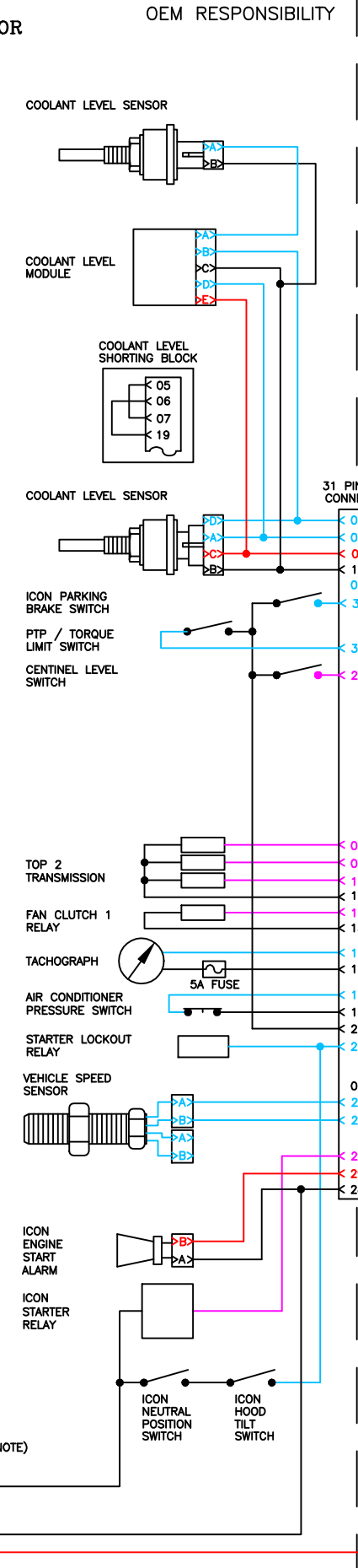
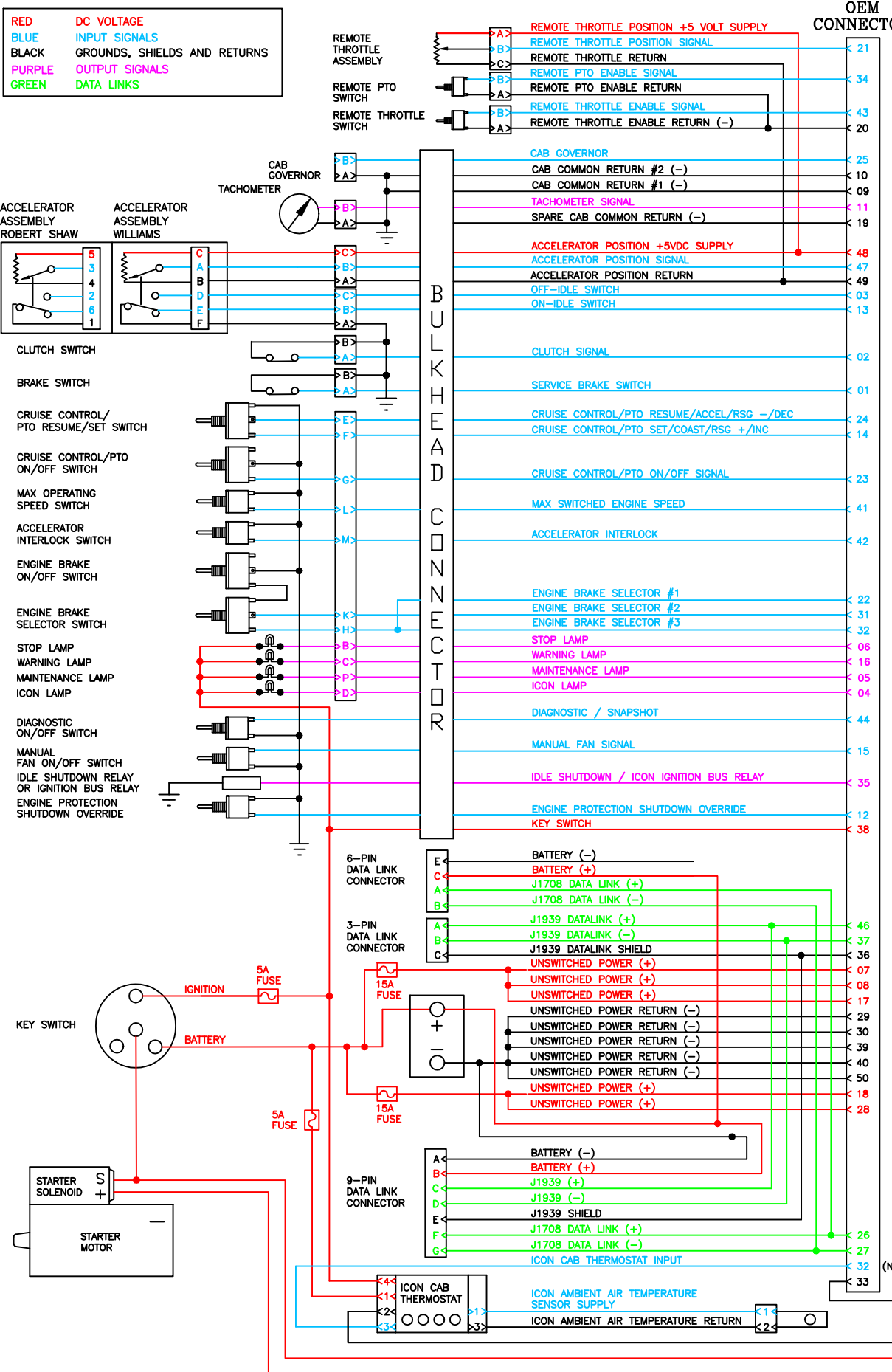


RED DC VOLTAGE
BLUE INPUT SIGNALS
BLACK GROUNDS, SHIELDS AND RETURNS
PURPLE OUTPUT SIGNALS
GREEN DATA LINKS



NOTE: SOME OF THE CIRCUITS SHOWN HERE WILL NOT BE ACTIVE IN ALL APPLICATIONS. CONSULT THE EQUIPMENT MANUFACTURER'S LITERATURE TO DETERMINE WHICH CIRCUITS ARE USED.